

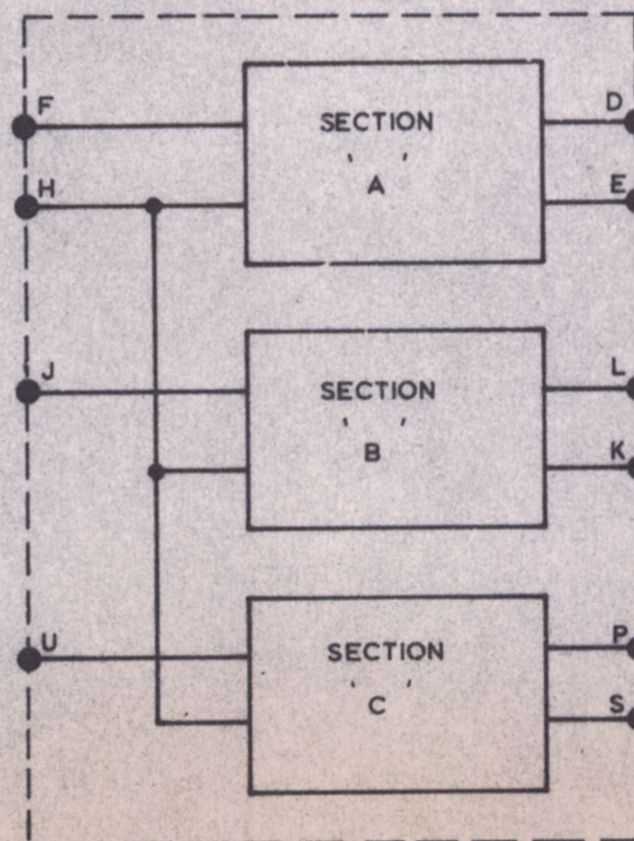
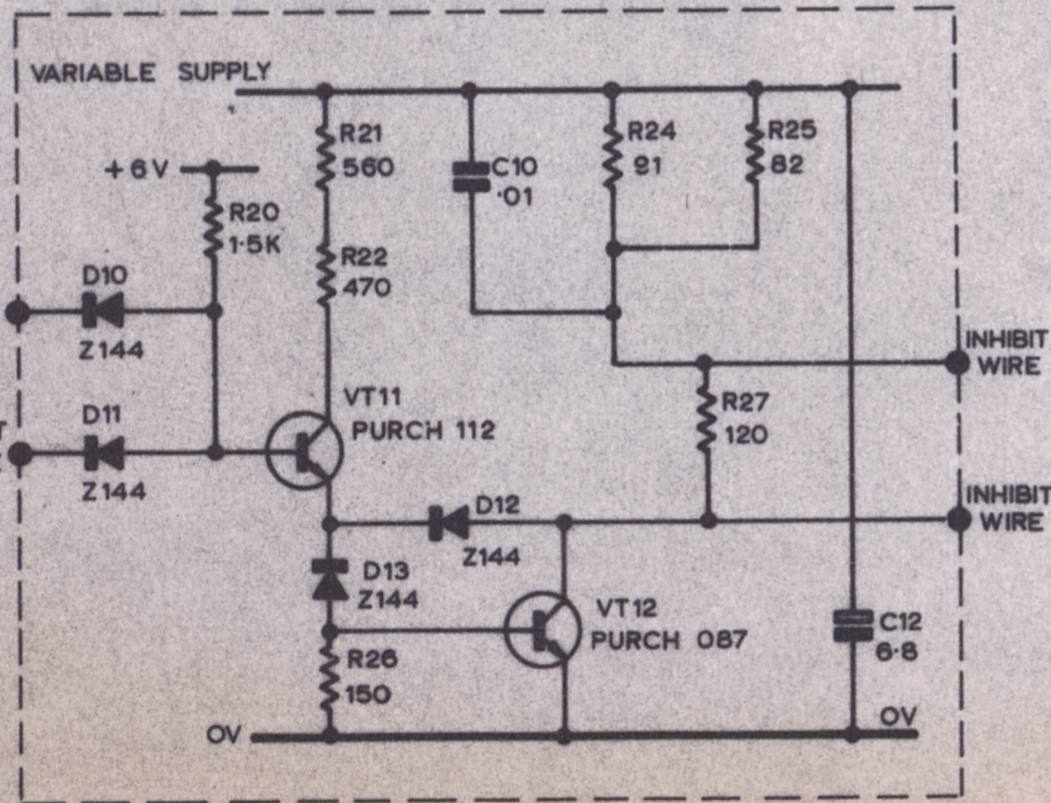
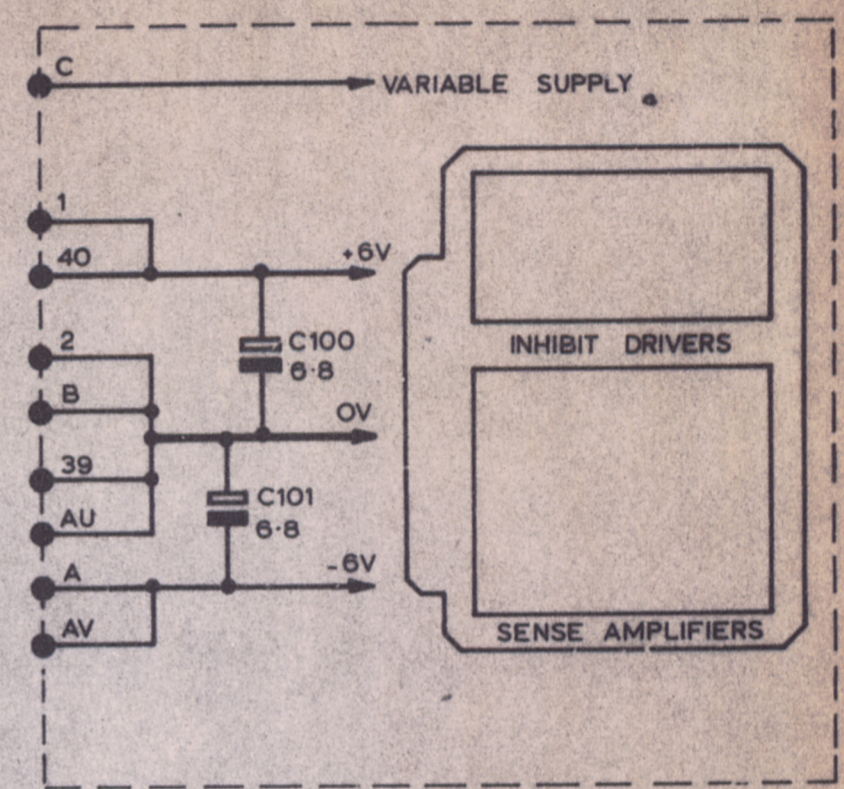
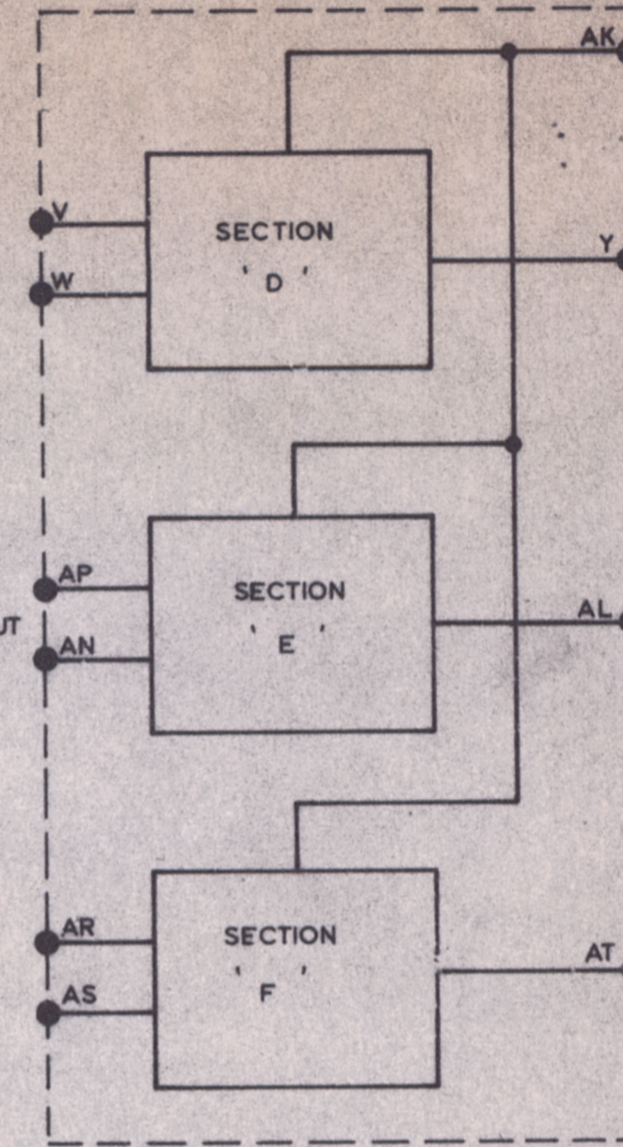
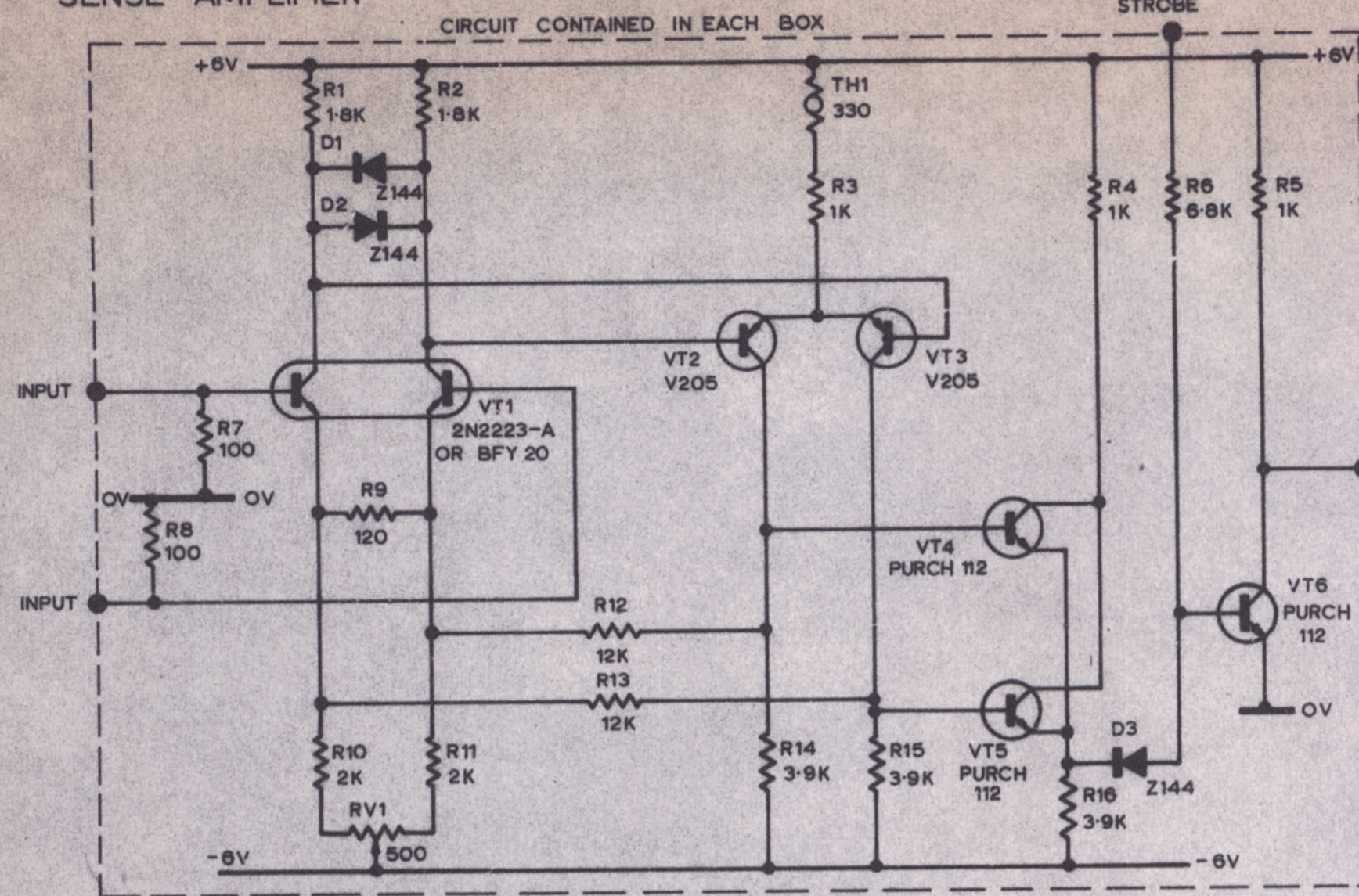
322 C 4195

THIRD ANGLE PROJECTION

DIMENSIONS IN INCHES UNLESS OTHERWISE STATED

DO NOT SCALE DRAWING

SENSE AMPLIFIER



INHIBIT DRIVER

CIRCUIT CONTAINED IN EACH BOX

920B COMPUTER
A-EA3 UNIT

A24

LATEST MI INCORPORATED MI. 2008 2998

ISSUE No.	3
ALTERATION No.	1081
DATE	4.11.66
INITIALS	L.J.E.
PARTS LIST No.	
DRAWN	L.JEVERETT
CHECKED	B.E. (CS.832)
APPROVED	D.S.
DATE	14-11-66

MATERIAL _____ FINISH _____

© Elliott Brothers (London) Limited
THIS DRAWING IS THE PROPERTY OF ELLIOTT BROTHERS (LONDON) LIMITED AND MAY NOT BE COPIED, USED OR DISCLOSED FOR ANY PURPOSE EXCEPT AS AUTHORIZED IN WRITING BY ELLIOTT BROTHERS (LONDON) LIMITED

TOLERANCES
LINEAR
UNMACHINED SURFACES ±
MACHINED SURFACES ±
ANGULAR DIMENSIONS ±
UNLESS OTHERWISE STATED

ELLIOTT BROTHERS (LONDON) LTD

TITLE
920B COMPUTER
A-EA3 UNIT

SCALE
DRAWING No.
322 C 4195